

Specifications

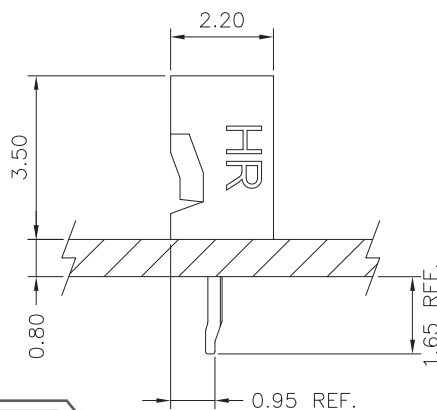
Current rating: 1A AC,DC
Voltage rating: 125V AC,DC
Temperature range: -25°C ~ +85°C
Contact resistance: 20mΩ Max.
Insulation resistance: 100MΩ Min.
Withstanding voltage: 500V AC/minute
Contact H.R for details

Standards



E179987

Assembly layout



Ordering code

① B1259 ② V-T ③ P ④ E

- ① Series No.
- ② Terminal type: V=Vertical
- ③ Plating code: T=Tin-plated
- ④ Material: P=Phosphor bronze
- ⑤ E=Stamping before plating

① B1259 ② HV-05P

- ① Series No.
- ② Housing type: HV=Vertical
- ③ No. of circuits



B1259 SERIES

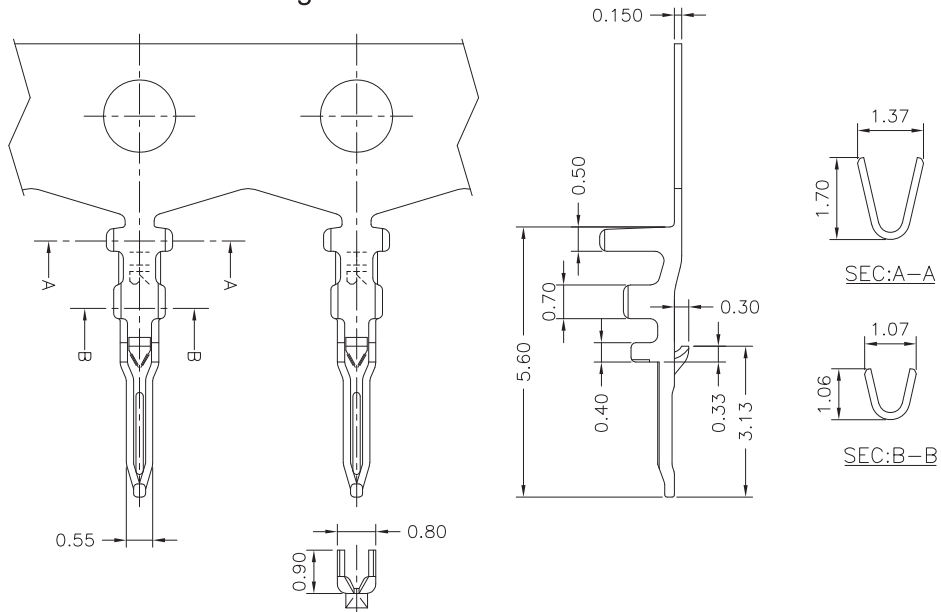
1.25mm pitch board-in connector

B 1259V-T

1.25mm pitch 180° Crimp Terminal

Reference Informations:

*Used in H.R B1259HV series Housing



Ordering Information & Specifications:

Unit:mm

Part No.	Wire Range	Insulation O.D.	Material	Finish	Qty/reel
B1259V-TPE	AWG#28-#32	1.00mm(max)	Phosphor Bronze	Tin-plated	15,000pcs

Note:E-Stamping before Tin-plated

B 1259HV

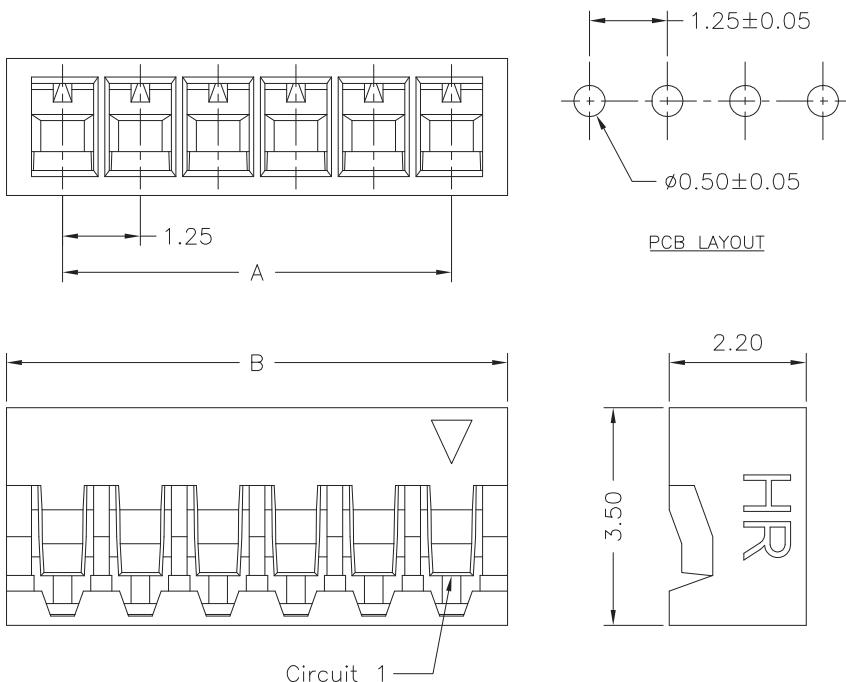
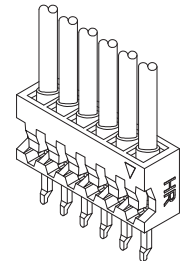
1.25mm pitch 180° Housing

Reference Informations:

*Material: Nylon 66,UL94V-0

*Suitable H.R B1259V series Terminal

B1259HV-05P		N	Q	W	NP	N	00	G
		①	②	③	④	⑤	⑥	⑦
①	N=Halogen Free							
②	Material: 0=Nylon 66-V0							
③	Color: W=White							
④	Plating code: NP=Non-plating							
⑤	Plating code: N=Non-plating							
⑥	Option code: 00=Standard							
⑦	Packing code: G=Bag							



Ordering Information & Dimensions:

PART NO.	Dimensions	
	A	B
B1259HV-02P	1.25	3.05
B1259HV-03P	2.50	4.30
B1259HV-04P	3.75	5.55
B1259HV-05P	5.00	6.80
B1259HV-06P	6.25	8.05
B1259HV-07P	7.50	9.30
B1259HV-08P	8.75	10.55
B1259HV-09P	10.00	11.80
B1259HV-10P	11.25	13.05
B1259HV-11P	12.50	14.30
B1259HV-12P	13.75	15.55
B1259HV-13P	15.00	16.80
B1259HV-14P	16.25	18.05
B1259HV-15P	17.50	19.30

Unit:mm