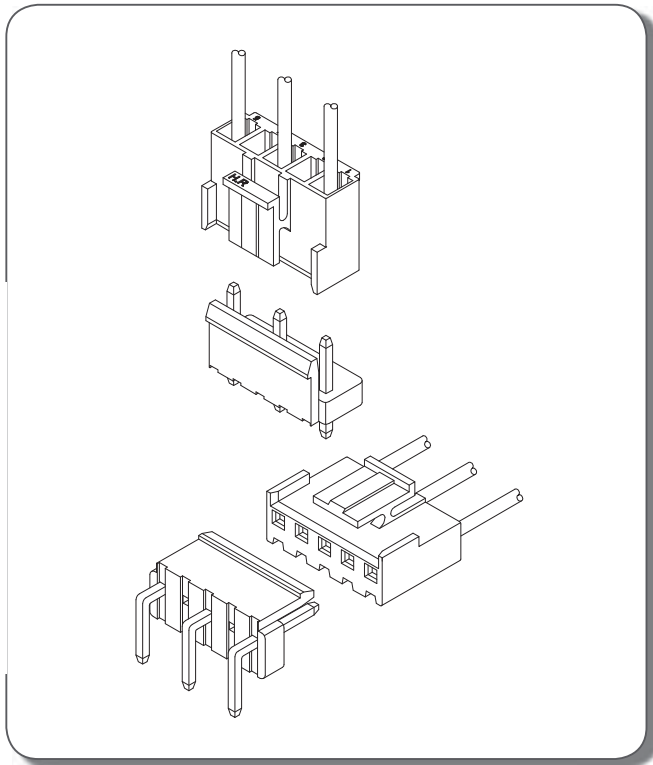




A7921 SERIES

7.92mm pitch wire to board connector



Specifications

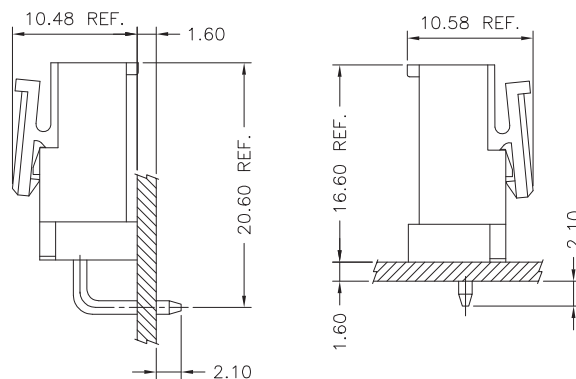
Current rating: 7A AC,DC
Voltage rating: 250V AC,DC
Temperature range: -25°C ~ +85°C
Contact resistance: 10mΩ Max.
Insulation resistance: 1000MΩ Min.
Withstanding voltage: 1500V AC/minute
Contact H.R for details

Standards



E179987

Assembly layout



Ordering code

① A7921 ② WV ③ 05P ④ 46G

- ① Series No.
- ② Connector type: WV=Vertical, WR=Right angle
- ③ No. of circuits
- ④ Option code:
46G=Nylon 46, Gold-flash



A7921 SERIES

7.92mm pitch wire to board connector

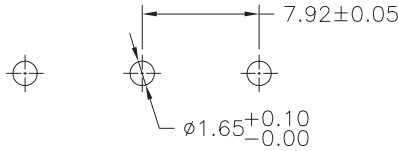
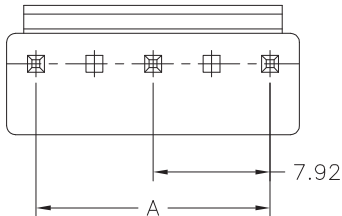
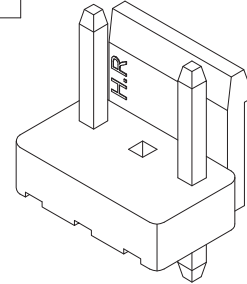
A7921WV

7.92mm pitch 180° Wafer

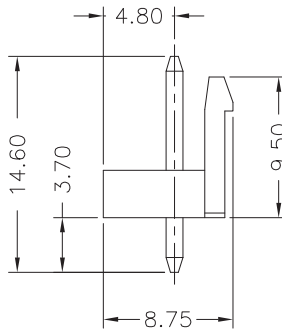
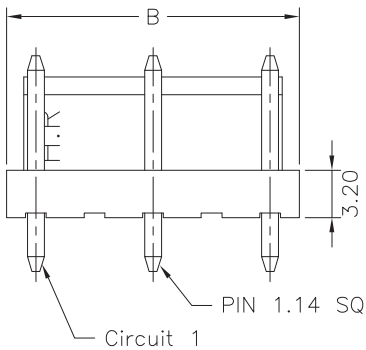
Reference Informations:

- *Material: Pin: Brass/Tin-plated
Wafer: Nylon 66,UL94V-0
- *Mates with H.R A3961 series Housing
- *Nylon 46 is available

	A7921WV-05P						
	N	Q	W	T1	N	00	G
	①	②	③	④	⑤	⑥	⑦
①	N=Halogen Free						
②	Material: 0=Nylon 66-V0, 6=Nylon 6T						
③	Color: W=White, B=Black						
④	Plating code: T1=Tin-plated, G1=Gold-flash						
⑤	Plating code: N=Non-plating						
⑥	Option code: 00=Standard						
⑦	Packing code: G=Bag						



P.C.B. LAYOUT



Ordering Information & Dimensions:

PART NO.	Dimensions	
	A	B
A7921WV-02P	7.92	11.88
A7921WV-03P	15.84	19.80
A7921WV-04P	23.76	27.72
A7921WV-05P	31.68	35.64
A7921WV-06P	39.60	43.56
A7921WV-07P	47.52	51.48
A7921WV-08P	55.44	59.40

Unit:mm

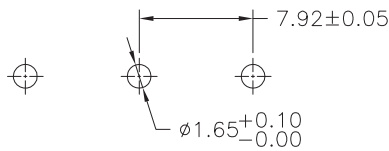
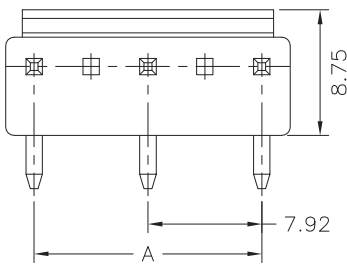
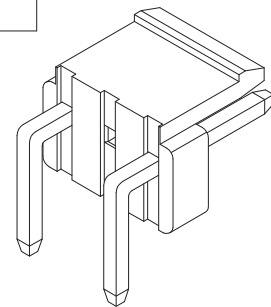
A7921WR

7.92mm pitch 90° Wafer

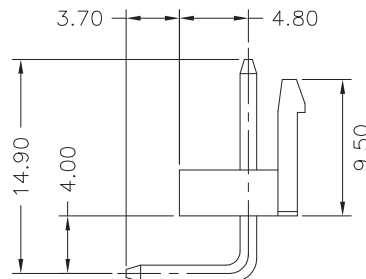
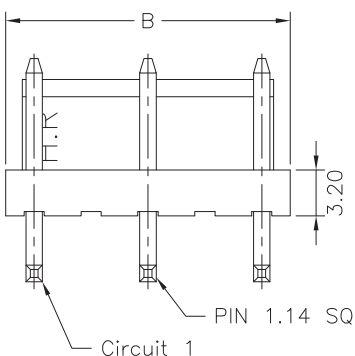
Reference Informations:

- *Material: Pin: Brass/Tin-plated
Wafer: Nylon 66,UL94V-0
- *Mates with H.R A3961 series Housing
- *Nylon 46 is available

	A7921WR-05P						
	N	Q	W	T1	N	00	G
	①	②	③	④	⑤	⑥	⑦
①	N=Halogen Free						
②	Material: 0=Nylon 66-V0, 6=Nylon 6T						
③	Color: W=White, B=Black						
④	Plating code: T1=Tin-plated, G1=Gold-flash						
⑤	Plating code: N=Non-plating						
⑥	Option code: 00=Standard						
⑦	Packing code: G=Bag						



P.C.B. LAYOUT



Ordering Information & Dimensions:

PART NO.	Dimensions	
	A	B
A7921WR-02P	7.92	11.88
A7921WR-03P	15.84	19.80
A7921WR-04P	23.76	27.72
A7921WR-05P	31.68	35.64
A7921WR-06P	39.60	43.56
A7921WR-07P	47.52	51.48
A7921WR-08P	55.44	59.40

Unit:mm