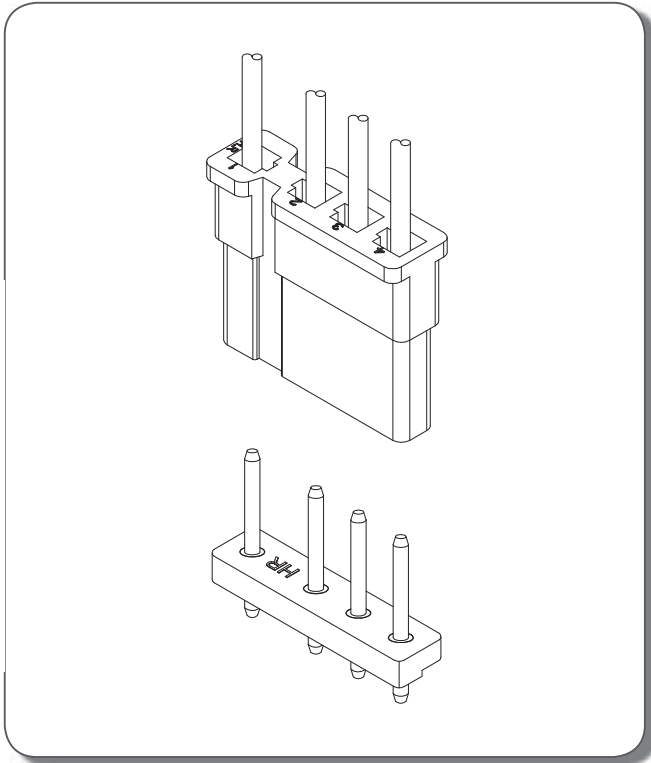




A7500 SERIES

7.50-5.00mm pitch wire to board connector



Specifications

- Current rating: 7A AC,DC
- Voltage rating: 250V AC,DC
- Temperature range: -25°C ~ +85°C
- Contact resistance: 10mΩ Max.
- Insulation resistance: 1000MΩ Min.
- Withstanding voltage: 1500V AC/minute
- *Contact H.R for details*

Standards



E179987

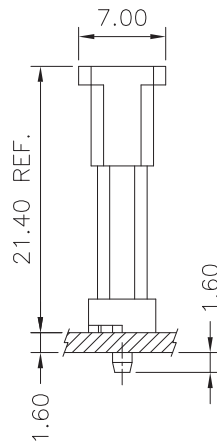


LR113464



R 3-50004394

Assembly layout



Ordering code

① ② ③ ④
A7500-T B E

- ① Series No.
- ② Plating code: T=Tin-plated
- ③ Material: B=Brass
- ④ E=Stamping before plating

① ② ③ ④
A7500 H-05P -BK

- ① Series No.
- ② H=Housing
- ③ No. of circuits
- ④ Option code:
-BK=Black

① ② ③ ④
A7500 WV-05P BK

- ① Series No.
- ② Connector type: WV=Vertical
- ③ No. of circuits
- ④ Option code:
BK=Black



A7500 SERIES

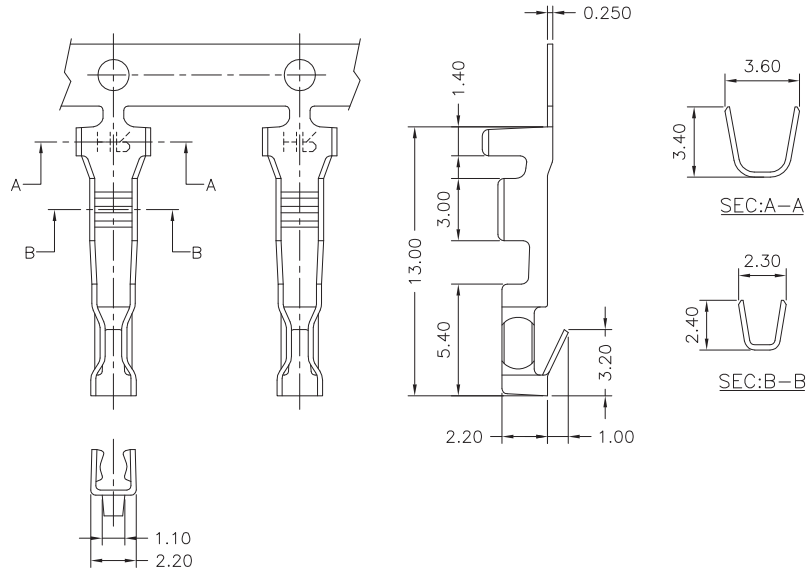
7.50-5.00mm pitch wire to board connector

A7500-T

7.50-5.00mm pitch Crimp Terminal

Reference Informations:

*Used in H.R A7500 series Housing



Ordering Information & Specifications:

Unit:mm

Part No.	Wire Range	Insulation O.D.	Material	Finish	Qty/reel
A7500-TBE	AWG#18-#24	2.70mm(max)	Brass	Tin-plated	6,000pcs

Note:E-Stamping before Tin-plated

A7500H

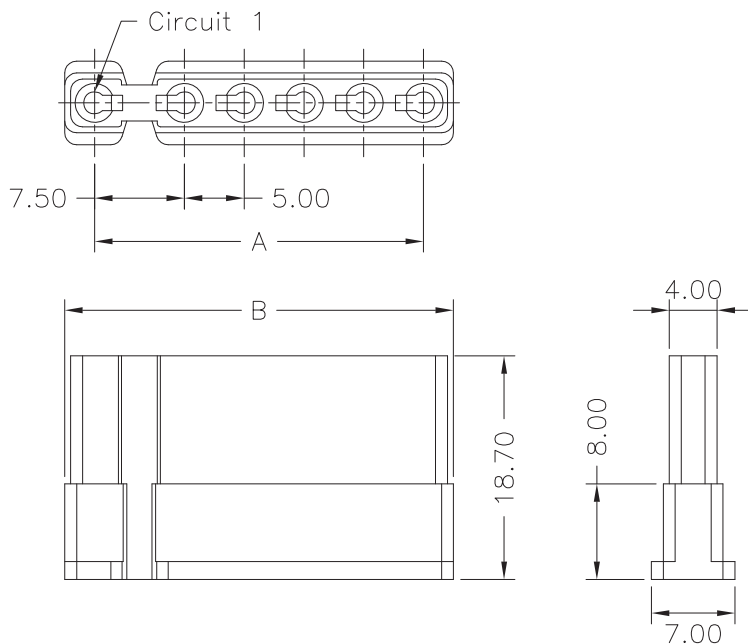
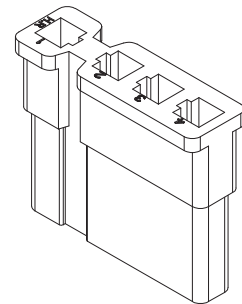
7.50-5.00mm pitch Housing

Reference Informations:

*Material: Nylon 66,UL94V-0

*Suitable H.R A7500 series Terminal

*Mates with H.R A7500 series Wafer



	A7500H-05P	N	0	W	NP	N	00	G
		①	②	③	④	⑤	⑥	⑦

① N=Halogen Free
 ② Material: 0=Nylon 66-V0
 ③ Color: W=White
 ④ Plating code: NP=Non-plating
 ⑤ Plating code: N=Non-plating
 ⑥ Option code: 00=Standard
 ⑦ Packing code: G=Bag

Ordering Information & Dimensions:

PART NO.	Dimensions	
	A	B
A7500H-01P	---	6.30
A7500H-02P	7.50	12.50
A7500H-03P	12.50	17.50
A7500H-04P	17.50	22.50
A7500H-05P	22.50	27.50
A7500H-06P	27.50	32.50

Unit:mm



A7500 SERIES

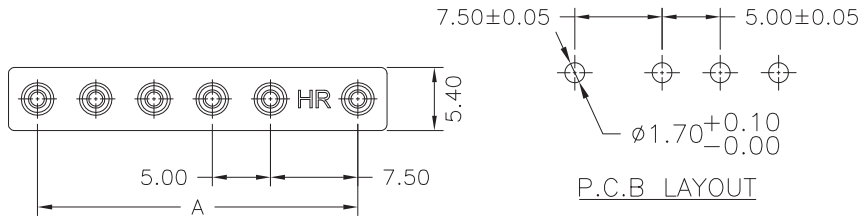
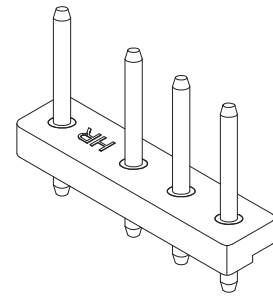
7.50-5.00mm pitch wire to board connector

A7500WV

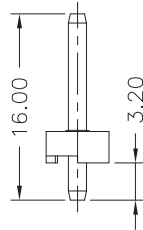
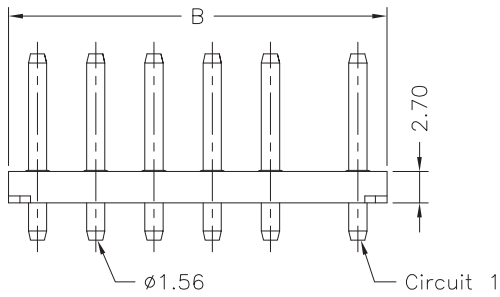
7.50-5.00mm pitch 180° Wafer

Reference Informations:

- *Material: Pin: Brass/Tin-plated
Wafer: Nylon 66,UL94V-0
- *Mates with H.R A7500 series Housing



	A7500WV-05P						
	N	0	W	T1	N	00	G
	①	②	③	④	⑤	⑥	⑦
① N=Halogen Free ② Material: 0=Nylon 66-V0 ③ Color: W=White ④ Plating code: T1=Tin-plated ⑤ Plating code: N=Non-plating ⑥ Option code: 00=Standard ⑦ Packing code: G=Bag							



Ordering Information & Dimensions:

PART NO.	Dimensions	
	A	B
A7500WV-01P	---	5.00
A7500WV-02P	7.50	12.50
A7500WV-03P	12.50	17.50
A7500WV-04P	17.50	22.50
A7500WV-05P	22.50	27.50
A7500WV-06P	27.50	32.50

Unit:mm

1.25mm pitch Crimp Terminal

Reference Informations: