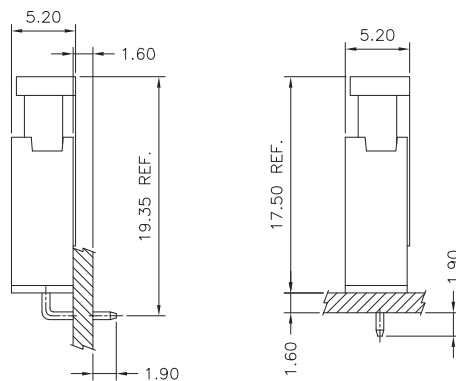


Specifications

- Current rating: 3A AC,DC
- Voltage rating: 250V AC,DC
- Temperature range: -25°C ~ +85°C
- Contact resistance: 20mΩ Max.
- Insulation resistance: 1000MΩ Min.
- Withstanding voltage: 1000V AC/minute
- *Contact H.R for details*

Assembly layout



Ordering code

① ② ③ ④ ⑤
A2543 M-T P E

- ① Series No.
- ② Terminal type: Blank=Female, M=Male
- ③ Plating code: T=Tin-plated
- ④ Material: P=Phosphor Bronze
- ⑤ E=Stamping before plating

① ② ③
A2543 H-04P

- ① Series No.
- ② H=Housing
- ③ No. of circuits

① ② ③ ④
A2543 WV-04P 6TG

- ① Series No.
- ② Connector type: WV=Vertical, WR=Right angle
- ③ No. of circuits
- ④ Option code:
6TG=Nylon 6T, Gold-flash



A2543 SERIES

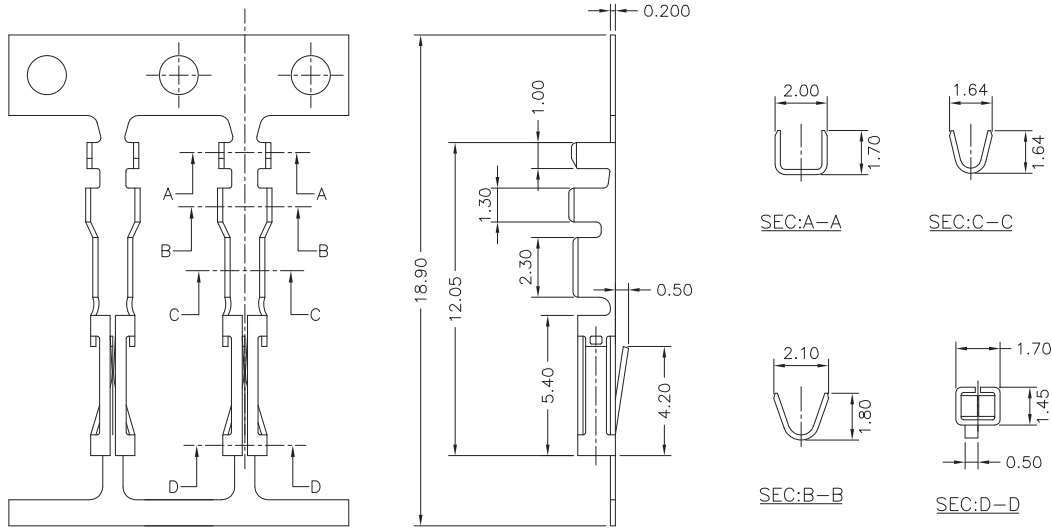
2.54mm pitch wire to board connector

A2543-T

2.54mm pitch Crimp Terminal

Reference Informations:

*Used in H.R A2543H series Housing



Ordering Information & Specifications:

Unit:mm

Part No.	Wire Range	Insulation O.D.	Material	Finish	Qty/reel
A2543-TPE	AWG#22-#26	1.55mm(max)	Phosphor Bronze	Tin-plated	20,000pcs

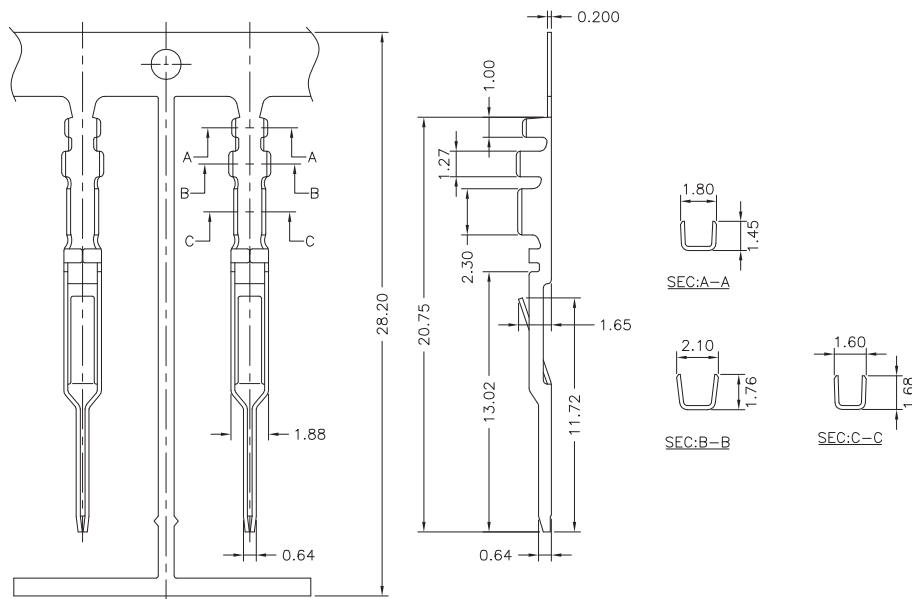
Note:E-Stamping before Tin-plated

A2543M-T

2.54mm pitch Crimp Terminal

Reference Informations:

*Used in H.R A2543HM series Housing



Ordering Information & Specifications:

Unit:mm

Part No.	Wire Range	Insulation O.D.	Material	Finish	Qty/reel
A2543M-TPE	AWG#22-#26	1.55mm(max)	Phosphor Bronze	Tin-plated	15,000pcs

Note:E-Stamping before Tin-plated



A2543 SERIES

2.54mm pitch wire to board connector

A2543H

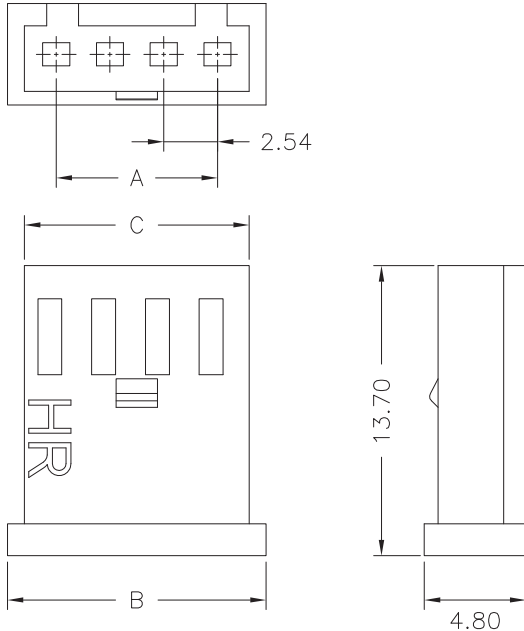
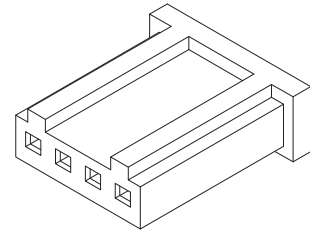
2.54mm pitch Housing

Reference Informations:

*Material: PBT,UL94V-0

*Suitable H.R A2543 series Terminal

*Mates with H.R A2543 series Wafer



	A2543H-04P	N	P	B	NP	N	00	G
		①	②	③	④	⑤	⑥	⑦
①	N=Halogen Free							
②	Material: P=PBT							
③	Color: B=Black							
④	Plating code: NP=Non-plating							
⑤	Plating code: N=Non-plating							
⑥	Option code: 00=Standard							
⑦	Packing code: G=Bag							

Ordering Information & Dimensions:

PART NO.	Dimensions		
	A	B	C
A2543H-02P	2.54	7.10	5.60
A2543H-04P	7.62	12.20	10.60
A2543H-06P	12.70	17.30	15.70
A2543H-08P	17.78	22.30	20.80

Unit:mm

A2543WV

2.54mm pitch 180° Wafer

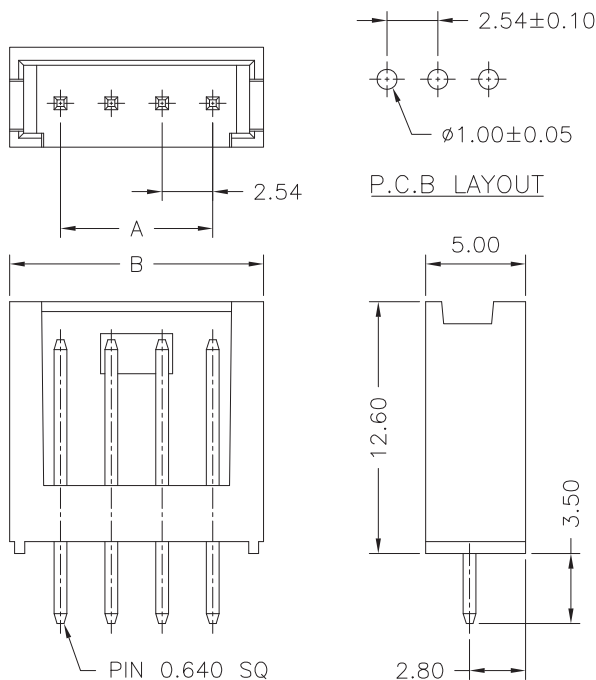
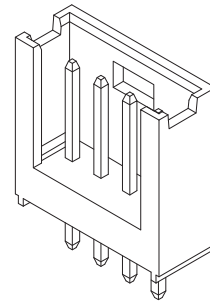
Reference Informations:

*Material: Pin: Brass/Tin-plated

Wafer: PBT,UL94V-0

*Mates with H.R A2543H series Housing

*Nylon 6T is available



	A2543WV-04P	N	P	B	T1	N	00	G
		①	②	③	④	⑤	⑥	⑦
①	N=Halogen Free							
②	Material: P=PBT, 6=Nylon 6T							
③	Color: B=Black							
④	Plating code: T1=Tin-plated, G1=Gold-flash							
⑤	Plating code: N=Non-plating							
⑥	Option code: 00=Standard							
⑦	Packing code: G=Bag							

Ordering Information & Dimensions:

PART NO.	Dimensions	
	A	B
A2543WV-02P	2.54	7.62
A2543WV-04P	7.62	12.70
A2543WV-05P	10.16	15.24
A2543WV-06P	12.70	17.78
A2543WV-08P	17.78	22.86
A2543WV-10P	22.86	27.94

Unit:mm



A2543 SERIES

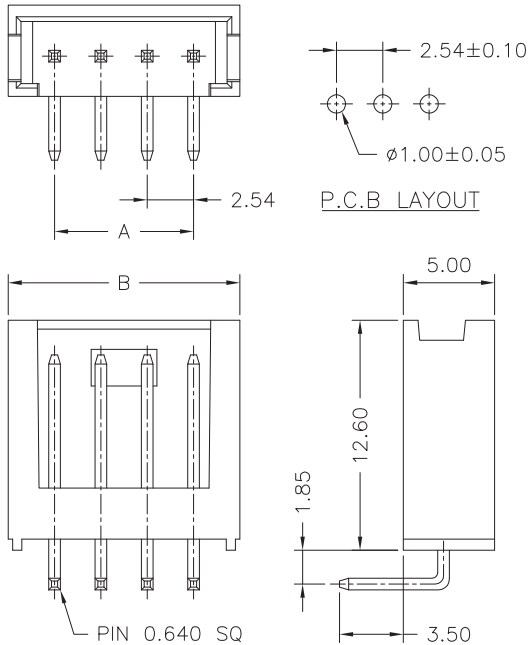
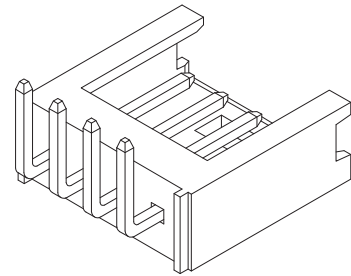
2.54mm pitch wire to board connector

A2543WR

—2.54mm pitch 90° Wafer—

Reference Informations:

- *Material: Pin: Brass/Tin-plated
Wafer: PBT,UL94V-0
- *Mates with H.R A2543H series Housing
- *Nylon 6T is available



	A2543WR-04P	N	P	B	T1	N	00	G
		①	②	③	④	⑤	⑥	⑦

① N=Halogen Free
② Material: P=PBT, 6=Nylon 6T
③ Color: B=Black
④ Plating code: T1=Tin-plated, G1=Gold-flash
⑤ Plating code: N=Non-plating
⑥ Option code: 00=Standard
⑦ Packing code: G=Bag

Ordering Information & Dimensions:

PART NO.	Dimensions	
	A	B
A2543WR-02P	2.54	7.62
A2543WR-04P	7.62	12.70
A2543WR-05P	10.16	15.24
A2543WR-06P	12.70	17.78
A2543WR-08P	17.78	22.86
A2543WR-10P	22.86	27.94

Unit:mm