

Specifications

Current rating: 3A AC,DC
Voltage rating: 250V AC,DC
Temperature range: -25°C ~ +85°C
Contact resistance: 10mΩ Max.
Insulation resistance: 1000MΩ Min.
Withstanding voltage: 1000V AC/minute
Contact H.R for details

Ordering code

① ② ③ ④
A2508 - T P E

- ① Series No.
- ② Plating code: T=Tin-plated
- ③ Material: P=Phosphor bronze
- ④ E=Stamping before plating

① ② ③
A2508 H-05P

- ① Series No.
- ② H=Housing
- ③ No. of circuits



A2508 SERIES

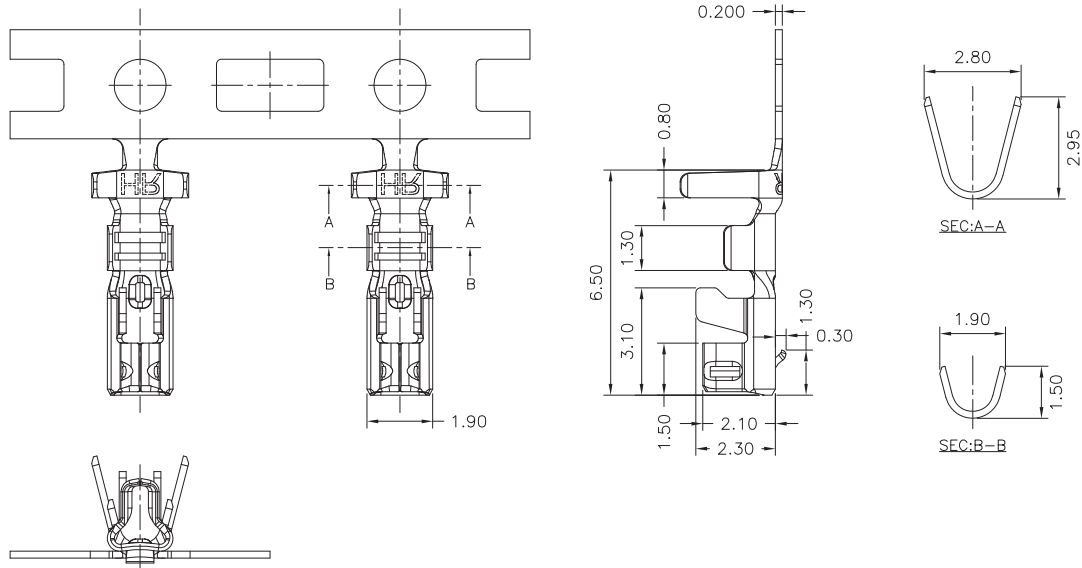
2.50mm pitch wire to board connector

A2508-T

2.50mm pitch Crimp Terminal

Reference Informations:

*Used in H.R A2508 series Housing



Ordering Information & Specifications:

Unit:mm

| Part No. | Wire Range | Insulation O.D. | Material | Finish | Qty/reel |
|-----------|------------|-----------------|-----------------|------------|----------|
| A2508-TPE | AWG#20-#28 | 1.90mm(max) | Phosphor Bronze | Tin-plated | 8,000pcs |

Note:E-Stamping before Tin-plated

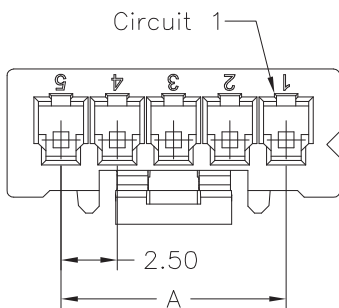
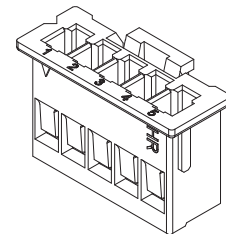
A2508H

2.50mm pitch Housing

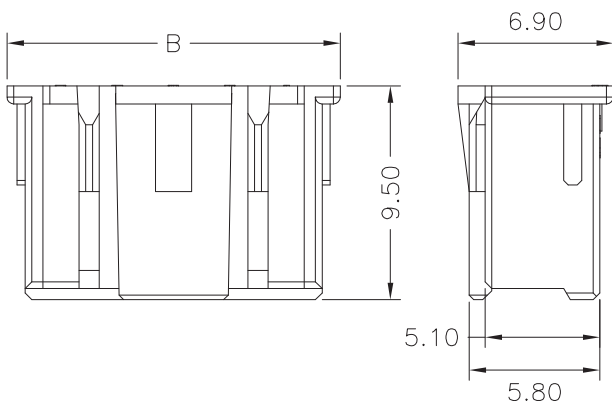
Reference Informations:

*Material: Nylon 66,UL94V-0

*Suitable H.R A2508 series Terminal



| A2508H-05P | | N | 0 | W | NP | N | 00 | G |
|--------------------------------|--|---|---|---|----|---|----|---|
| | | ① | ② | ③ | ④ | ⑤ | ⑥ | ⑦ |
| ① N=Halogen Free | | | | | | | | |
| ② Material: 0=Nylon 66-V0 | | | | | | | | |
| ③ Color: W=White | | | | | | | | |
| ④ Plating code: NP=Non-plating | | | | | | | | |
| ⑤ Plating code: N=Non-plating | | | | | | | | |
| ⑥ Option code: 00=Standard | | | | | | | | |
| ⑦ Packing code: G=Bag | | | | | | | | |



Ordering Information & Dimensions:

| PART NO. | Dimensions | |
|------------|------------|-------|
| | A | B |
| A2508H-02P | 2.50 | 7.30 |
| A2508H-03P | 5.00 | 9.80 |
| A2508H-04P | 7.50 | 12.30 |
| A2508H-05P | 10.00 | 14.80 |
| A2508H-06P | 12.50 | 17.30 |
| A2508H-07P | 15.00 | 19.80 |
| A2508H-08P | 17.50 | 22.30 |
| A2508H-09P | 20.00 | 24.80 |
| A2508H-10P | 22.50 | 27.30 |
| A2508H-11P | 25.00 | 29.80 |
| A2508H-12P | 27.50 | 32.30 |
| A2508H-13P | 30.00 | 34.80 |
| A2508H-14P | 32.50 | 37.30 |
| A2508H-15P | 35.00 | 39.80 |
| A2508H-20P | 47.50 | 52.30 |

Unit:mm