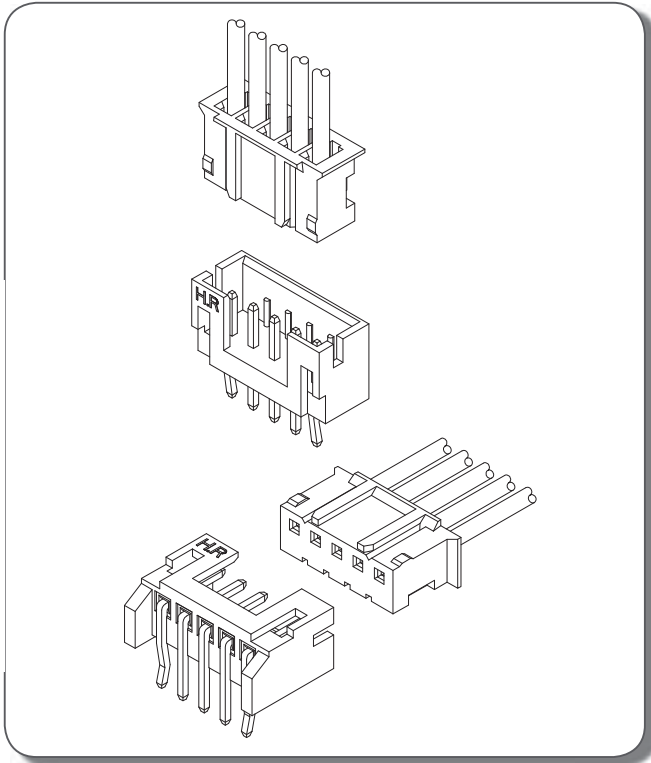




# A2100 SERIES

2.00mm pitch wire to board connector



## Specifications

Current rating: 3A AC,DC  
 Voltage rating: 300V AC,DC  
 Temperature range: -25°C ~ +85°C  
 Contact resistance: 20mΩ Max.  
 Insulation resistance: 100MΩ Min.  
 Withstanding voltage: 1000V AC/minute  
 \*Contact H.R for details\*

## Standards



E179987

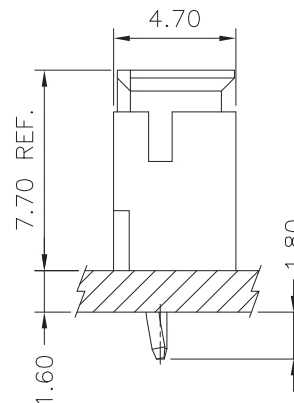
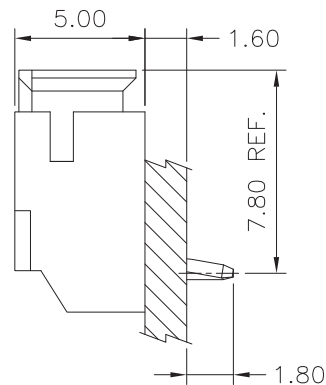


LR113464



R 3-50004394

## Assembly layout



## Ordering code

**1** **2** **3** **4**  
A2100-T P E

- ① Series No.
- ② Plating code: T=Tin-plated
- ③ Material: P=Phosphor bronze
- ④ E=Stamping before plating

**1** **2** **3**  
A2100 H-05P

- ① Series No.
- ② H=Housing
- ③ No. of circuits

**1** **2** **3** **4**  
A2100 WV-05P 1

- ① Series No.
- ② Connector type: WV=Vertical, WR=Right angle
- ③ No. of circuits
- ④ Option code:  
1=Type 1, 2=Type 2, 3=Type 3



# A2100 SERIES

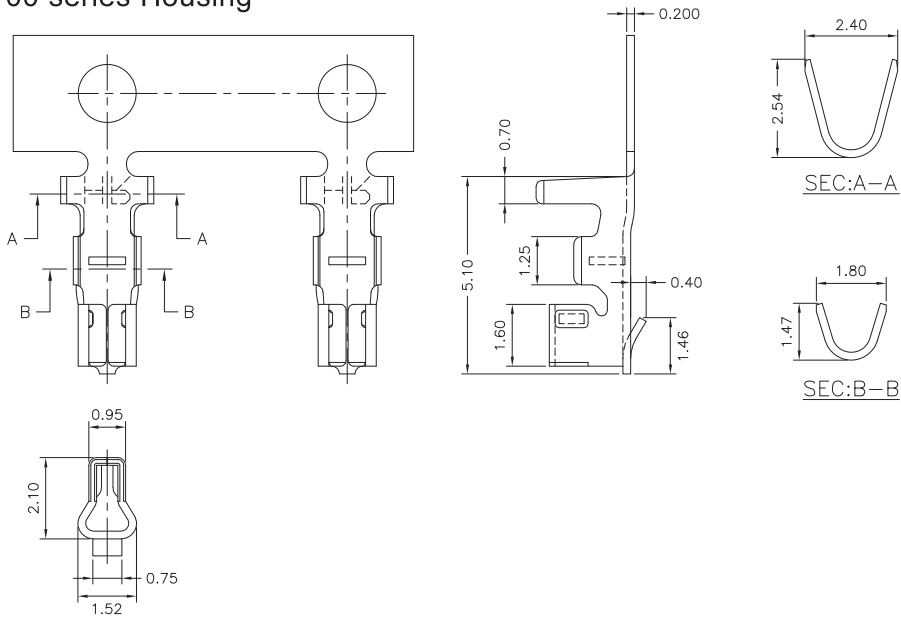
2.00mm pitch wire to board connector

## A2100-T

—2.00mm pitch Crimp Terminal

### Reference Informations:

\*Used in H.R A2100 series Housing



### Ordering Information & Specifications:

Unit:mm

Part No.	Wire Range	Insulation O.D.	Material	Finish	Qty/reel
A2100-TPE	AWG#24-#28	1.50mm(max)	Phosphor Bronze	Tin-plated	10,000pcs

Note:E-Stamping before Tin-plated

## A2100H

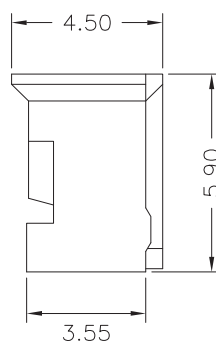
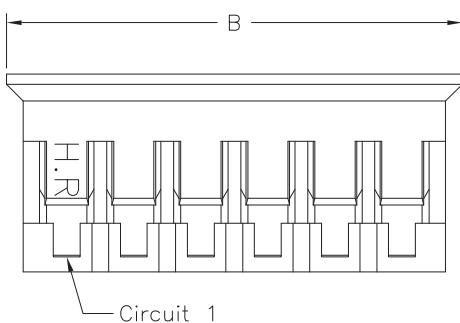
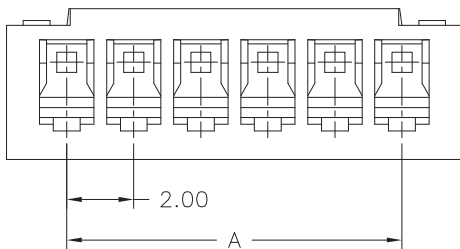
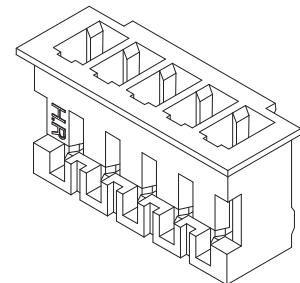
—2.00mm pitch Housing

### Reference Informations:

\*Material: Nylon 66,UL94V-0

\*Suitable H.R A2100 series Terminal

\*Mates with H.R A2100 series Wafer



### Ordering Information & Dimensions:

PART NO.	Dimensions	
	A	B
A2100H-02P	2.00	5.60
A2100H-03P	4.00	7.60
A2100H-04P	6.00	9.60
A2100H-05P	8.00	11.60
A2100H-06P	10.00	13.60
A2100H-07P	12.00	15.60
A2100H-08P	14.00	17.60
A2100H-09P	16.00	19.60
A2100H-10P	18.00	21.60
A2100H-11P	20.00	23.60
A2100H-12P	22.00	25.60
A2100H-13P	24.00	27.60
A2100H-14P	26.00	29.60
A2100H-15P	28.00	31.60

Unit:mm



# A2100 SERIES

2.00mm pitch wire to board connector

## A2100WV

2.00mm pitch 180° Wafer

### Reference Informations:

\*Material: Pin: Brass/Tin-plated

Wafer: Nylon 66,UL94V-0

\*Mates with H.R A2100 series Housing

Ordering Information:

A2100WV-XP \*  
1 2

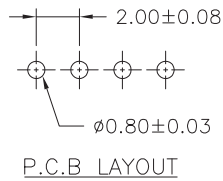
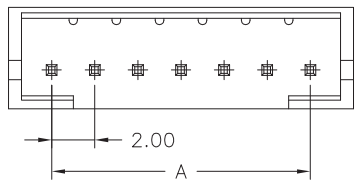
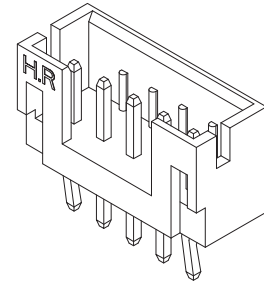
1.Part No.

2.Style:

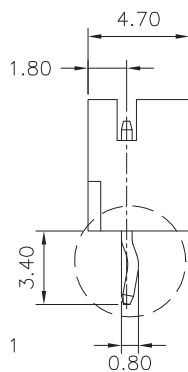
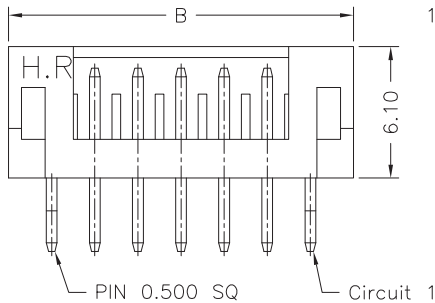
1-Type 1

2-Type 2

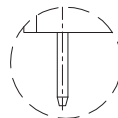
3-Type 3



TYPE 1



TYPE 2



TYPE 3

Ordering Information & Dimensions:

PART NO.	Dimensions	
	A	B
A2100WV-02P	2.00	6.00
A2100WV-03P	4.00	8.00
A2100WV-04P	6.00	10.00
A2100WV-05P	8.00	12.00
A2100WV-06P	10.00	14.00
A2100WV-07P	12.00	16.00
A2100WV-08P	14.00	18.00
A2100WV-09P	16.00	20.00
A2100WV-10P	18.00	22.00
A2100WV-11P	20.00	24.00
A2100WV-12P	22.00	26.00
A2100WV-13P	24.00	28.00
A2100WV-14P	26.00	30.00
A2100WV-15P	28.00	32.00

Unit:mm

## A2100WR

2.00mm pitch 90° Wafer

### Reference Informations:

\*Material: Pin: Brass/Tin-plated

Wafer: Nylon 66,UL94V-0

\*Mates with H.R A2100 series Housing

Ordering Information:

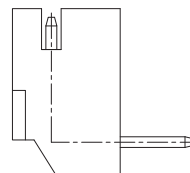
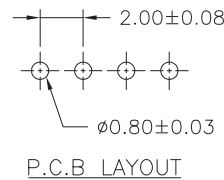
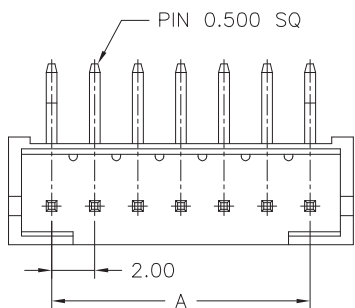
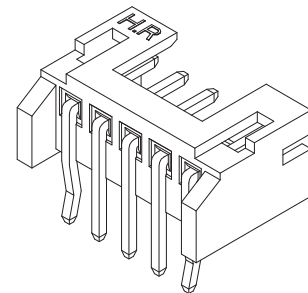
A2100WR-XP \*  
1 2

1.Part No.

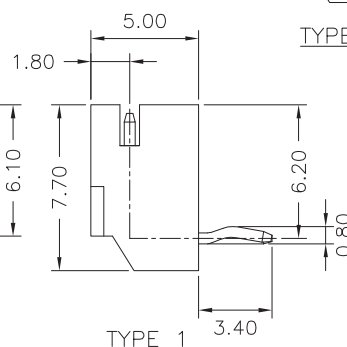
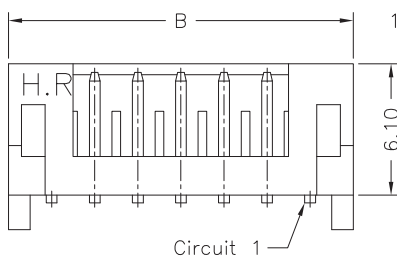
2.Style:

1-Type 1

2-Type 2



TYPE 2



TYPE 1

Ordering Information & Dimensions:

PART NO.	Dimensions	
	A	B
A2100WR-02P	2.00	6.00
A2100WR-03P	4.00	8.00
A2100WR-04P	6.00	10.00
A2100WR-05P	8.00	12.00
A2100WR-06P	10.00	14.00
A2100WR-07P	12.00	16.00
A2100WR-08P	14.00	18.00
A2100WR-09P	16.00	20.00
A2100WR-10P	18.00	22.00
A2100WR-11P	20.00	24.00
A2100WR-12P	22.00	26.00
A2100WR-13P	24.00	28.00
A2100WR-14P	26.00	30.00
A2100WR-15P	28.00	32.00

Unit:mm