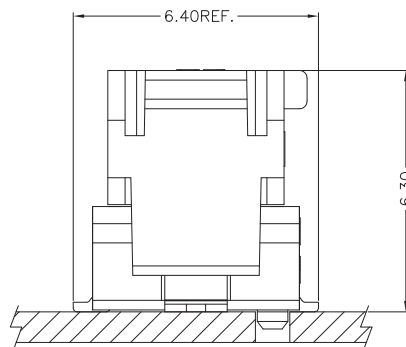


Specifications

- Current rating: 1A AC,DC
- Voltage rating: 50V AC,DC
- Temperature range: -25°C ~ +85°C
- Contact resistance: 20mΩ Max.
- Insulation resistance: 100MΩ Min.
- Withstanding voltage: 500V AC/minute
- *Contact H.R for details*

Assembly layout



Ordering code

① ② ③ ④
A12511-TPE

- ① Series No.
- ② Plating code: T=Tin-plated, G=Gold-plated
- ③ Material: P=Phosphor bronze
- ④ E=Stamping before plating

① ② ③ ④ ⑤
A12511 H A-2X-08P

- ① Series No.
- ② H=Housing
- ③ Blank=Without lock structure type
A=With lock structure type
- ④ Blank=Single row, 2X=Dual row
- ⑤ No. of circuits

① ② ③ ④ ⑤ ⑥ ⑦
A12511 WV A-SF-2X 08P D01

- ① Series No.
- ② Connector type: WV=Vertical
- ③ Blank=Normal type, A=A type
- ④ Mounting type: SF=SMT with boss
- ⑤ Blank=Single row, 2X=Dual row
- ⑥ No. of circuits
- ⑦ Option code:
D01=Gold-flash, Taping reel



A12511 SERIES

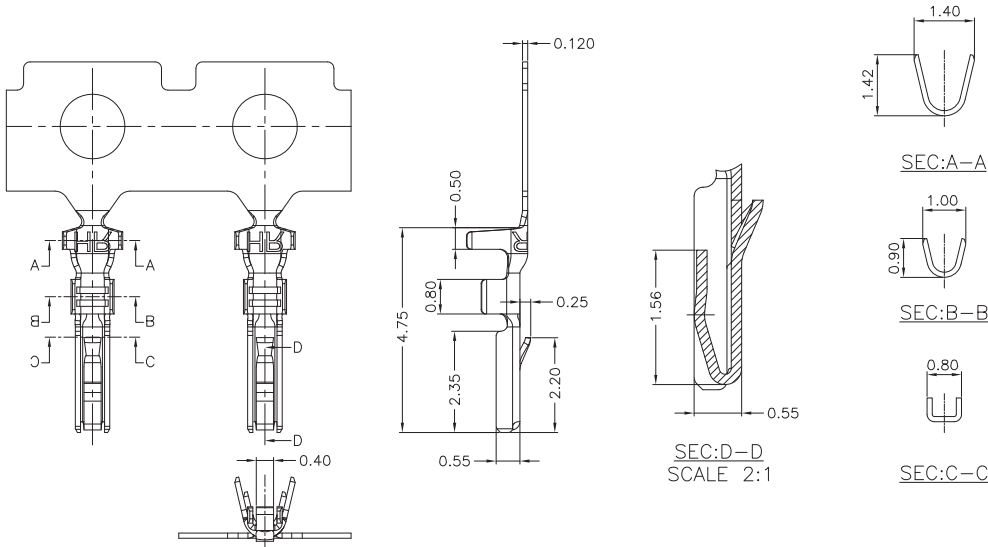
1.25mm pitch wire to board connector

A12511-T

1.25mm pitch Crimp Terminal

Reference Informations:

*Used in H.R A12511 series Housing



Ordering Information & Specifications:

Unit:mm

Part No.	Wire Range	Insulation O.D.	Material	Finish	Qty/reel
A12511-TPE	AWG#28-#32	0.80mm(max)	Phosphor	Tin-plated	15,000 pcs
A12511-GPE	AWG#28-#32	0.80mm(max)	Phosphor	Gold-plated	15,000 pcs

Note:E-Stamping before Tin-plated or Gold-flash

A12511HA-2

1.25mm pitch Dual Row Housing With Lock

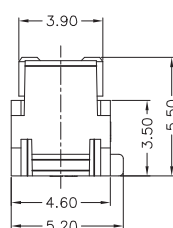
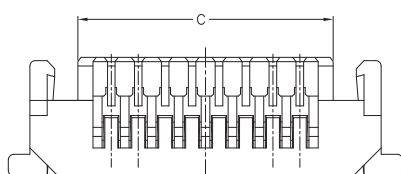
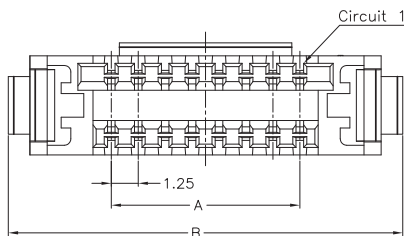
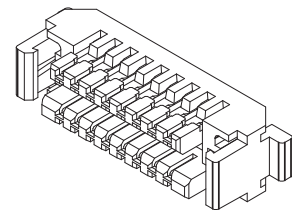
Reference Informations:

*Material: Nylon 66 UL94V-0

*Suitable H.R A12511 serie Terminal

*Mates with H.R A12511 serie dual row Wafer

A12511HA-2XNP		N	0	W	NP	N	00	G
		①	②	③	④	⑤	⑥	⑦
①	N=Halogen Free							
②	Material: 0=Nylon 66-V0							
③	Color: W=White							
④	Plating code: NP=Non-plating							
⑤	Plating code: N=Non-plating							
⑥	Option code: 00=Standard							
⑦	Packing code: G=Bag							



Ordering Information & Dimensions:

PART NO.	Dimensions		
	A	B	C
A12511HA-2X05P	5.00	14.55	8.10
A12511HA-2X07P	7.50	17.50	10.60
A12511HA-2X08P	8.75	18.30	11.85
A12511HA-2X10P	11.25	20.80	14.35
A12511HA-2X15P	17.50	27.05	20.60
A12511HA-2X18P	21.25	30.80	24.35
A12511HA-2X20P	23.75	33.00	26.85
A12511HA-2X21P	25.00	34.55	28.10
A12511HA-2X25P	30.00	39.55	33.10
A12511HA-2X30P	36.25	45.80	39.35

Unit:mm



A12511 SERIES

1.25mm pitch wire to board connector

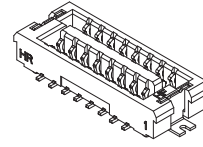
A12511WVA-SF-2

1.25mm pitch 180° Dual Row Wafer-SMT TYPE

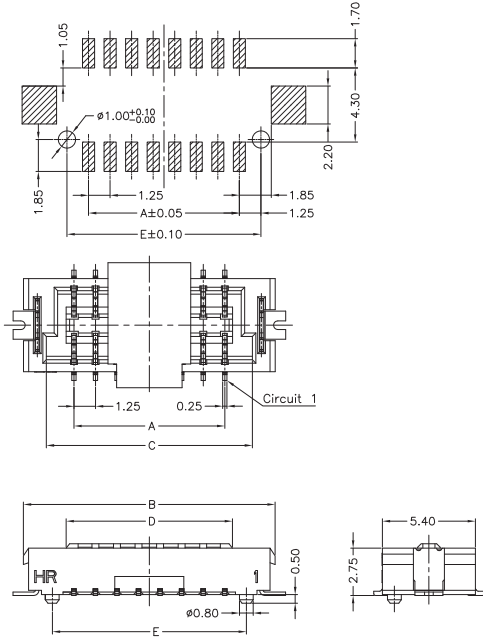
Reference Informations:

- *Material: Pin: Phosphor Bronze/Gold-flash
Solder Tabs: Brass/Matte Tin-plated
Wafer: LCP, UL94V-0
Cap: Nylon 6T, UL94V-0

*Mates with H.R A12511HA serie dual row Housing



	A12511WVA-SF-2XNP						
	N	L	N	XX	X	00	L
①	②	③	④	⑤	⑥	⑦	
① N=Halogen Free							
② Material: L=LCP							
③ Color: N=Natural(Beige)							
④ Plating code for contacts: T1=Matte Tin-plated; G1=Gold-flash							
⑤ Plating code for solder tabs: T=Matte Tin-plated; G=Gold-flash							
⑥ Option code: 00=Standard							
⑦ Packing code: L=Tape & Reel(With Cap)							



Ordering Information & Dimensions:

PART NO.	Dimensions				
	A	B	C	D	E
A12511WVA-SF-2X05P	5.00	10.85	8.20	5.90	7.50
A12511WVA-SF-2X07P	7.50	13.35	10.70	8.40	10.00
A12511WVA-SF-2X08P	8.75	14.60	11.95	9.65	11.25
A12511WVA-SF-2X10P	11.25	17.10	14.45	12.15	13.75
A12511WVA-SF-2X15P	17.50	23.35	20.70	18.40	20.00
A12511WVA-SF-2X18P	21.25	27.10	24.45	22.15	23.75
A12511WVA-SF-2X20P	23.75	29.60	26.95	24.65	26.25
A12511WVA-SF-2X21P	25.00	30.85	28.20	25.90	27.50
A12511WVA-SF-2X25P	30.00	35.85	33.20	30.90	32.50
A12511WVA-SF-2X30P	36.25	42.10	39.45	37.15	38.75

Unit:mm