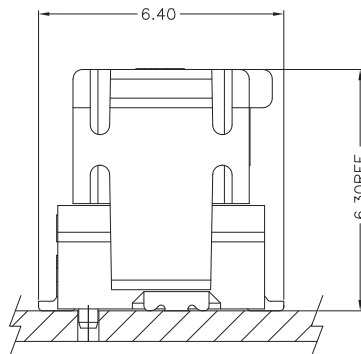


Specifications

- Current rating: 1A AC,DC
- Voltage rating: 50V AC,DC
- Temperature range: -25°C ~ +85°C
- Contact resistance: 20mΩ Max.
- Insulation resistance: 100MΩ Min.
- Withstanding voltage: 500V AC/minute
- *Contact H.R for details*

Assembly layout



Ordering code

① ② ③ ④
A1026-T P E

- ① Series No.
- ② Plating code: T=Tin-plated, G=Gold-plated
- ③ Material: P=Phosphor bronze
- ④ E=Stamping before plating

① ② ③ ④ ⑤
A1026 H A-2X 08P

- ① Series No.
- ② H=Housing
- ③ Blank=Without lock structure type
A=With lock structure type
- ④ Blank=Single row, 2X=Dual row
- ⑤ No. of circuits

① ② ③ ④ ⑤ ⑥ ⑦
A1026 WV A-SF-2X 08P D01

- ① Series No.
- ② Connector type: WV=Vertical
- ③ Blank=Normal type, A=A type
- ④ Mounting type: SF=SMT with boss
- ⑤ Blank=Single row, 2X=Dual row
- ⑥ No. of circuits
- ⑦ Option code:
D01=Gold-flash, Taping reel



A1026 SERIES

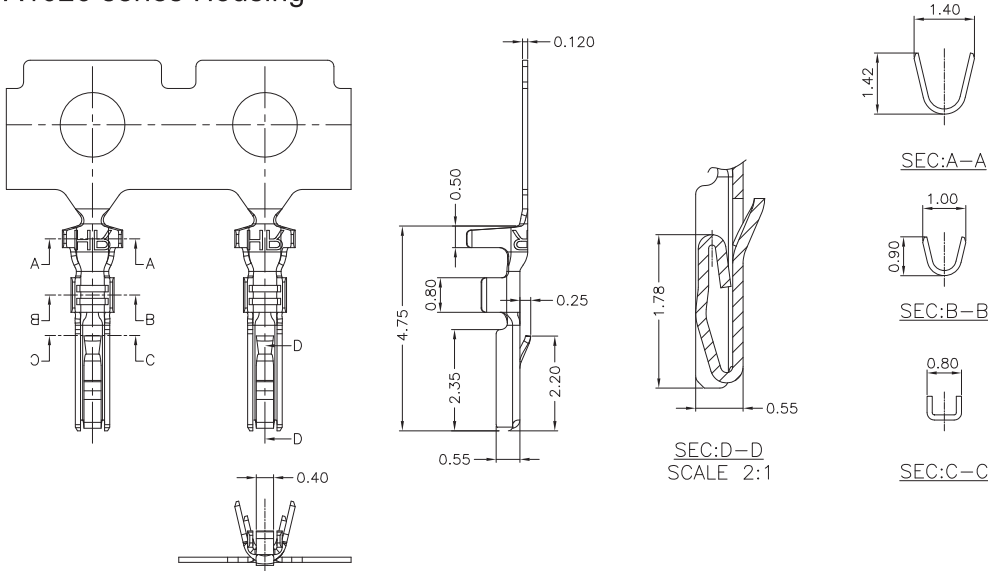
1.00mm pitch wire to board connector

A1026-T

1.00mm pitch Crimp Terminal

Reference Informations:

*Used in H.R A1026 series Housing



Ordering Information & Specifications:

Unit:mm

Part No.	Wire Range	Insulation O.D.	Material	Finish	Qty/reel
A1026-TPE	AWG#28-#32	0.80mm(max)	Phosphor Bronze	Tin-plated	15,000pcs
A1026-GPE	AWG#28-#32	0.80mm(max)	Phosphor Bronze	Gold-plated	15,000pcs

Note:E-Stamping before Tin-plated or Gold-flash

A1026HA-2

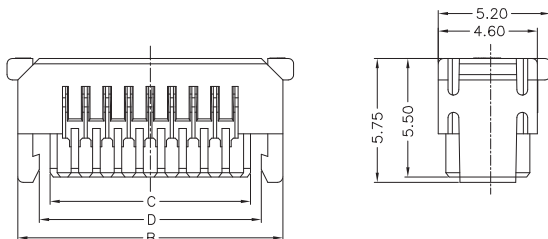
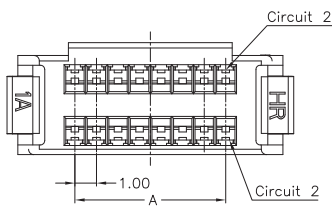
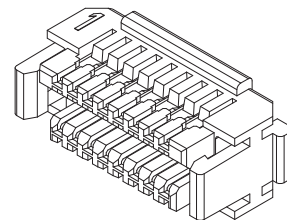
1.00mm pitch Dual Row Housing With Lock

Reference Informations:

*Material: Nylon 66 UL94V-0

*Suitable H.R A1026 series Terminal

*Mates with H.R A1026 series dual row Wafer



HP	A1026HA-2XNP	N	L	W	NP	N	00	G
		①	②	③	④	⑤	⑥	⑦

① N=Halogen Free
 ② Material: 0=Nylon 66-V0
 ③ Color: W=White
 ④ Plating code: NP=Non-plating
 ⑤ Plating code: N=Non-plating
 ⑥ Option code: 00=Standard
 ⑦ Packing code: G=Bag

Ordering Information & Dimensions:

PART NO.	Dimensions			
	A	B	C	D
A1026HA-2X05P	4.00	9.30	6.30	7.30
A1026HA-2X08P	7.00	12.30	9.30	10.30
A1026HA-2X10P	9.00	14.30	11.30	12.30
A1026HA-2X15P	14.00	16.30	16.30	17.30
A1026HA-2X20P	19.00	21.30	21.30	22.30
A1026HA-2X25P	24.00	26.30	26.30	27.30
A1026HA-2X30P	29.00	31.30	31.30	32.30

Unit:mm



A1026 SERIES

1.00mm pitch wire to board connector

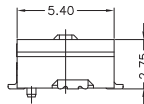
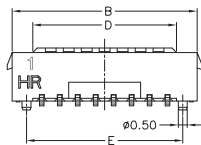
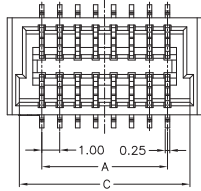
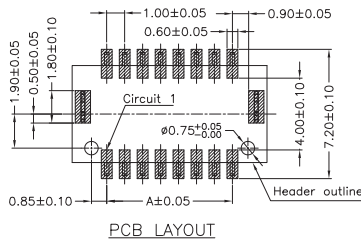
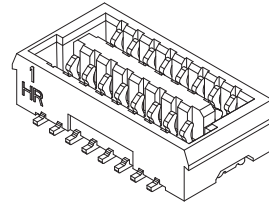
A1026WVA-SF-2

1.00mm pitch 180° Dual Row Wafer - SMT TYPE

Reference Informations:

- *Material: Pin: Phosphor Bronze/Gold-flash
Solder Tabs: Brass/Matte Tin-plated
Wafer: LCP, UL94V-0
Cap: Nylon 6T, UL94V-0

*Mates with H.R A1026HA serie dual row Housing



	A1026WVA-SF-2XNP		N	L	N	XX	X	00	L
	①	②	③	④	⑤	⑥	⑦		
① N=Halogen Free									
② Material: L=LCP									
③ Color: N=Natural(Beige)									
④ Plating code for contacts: T1=Matte Tin-plated; G1=Gold-flash									
⑤ Plating code for solder tabs: T=Matte Tin-plated; G=Gold-flash									
⑥ Option code: 00=Standard									
⑦ Packing code: L=Tape & Reel(With Cap)									

Ordering Information & Dimensions:

PART NO.	Dimensions				
	A	B	C	D	E
A1026WVA-SF-2X05P	4.00	7.30	6.50	5.00	5.70
A1026WVA-SF-2X08P	7.00	10.30	9.50	8.00	8.70
A1026WVA-SF-2X10P	9.00	13.30	11.50	10.00	10.70
A1026WVA-SF-2X15P	14.00	17.30	16.50	15.00	15.70
A1026WVA-SF-2X20P	19.00	22.30	21.50	20.00	20.70
A1026WVA-SF-2X25P	24.00	27.30	26.50	25.00	25.70
A1026WVA-SF-2X30P	29.00	32.30	31.50	30.00	30.70

Unit:mm